



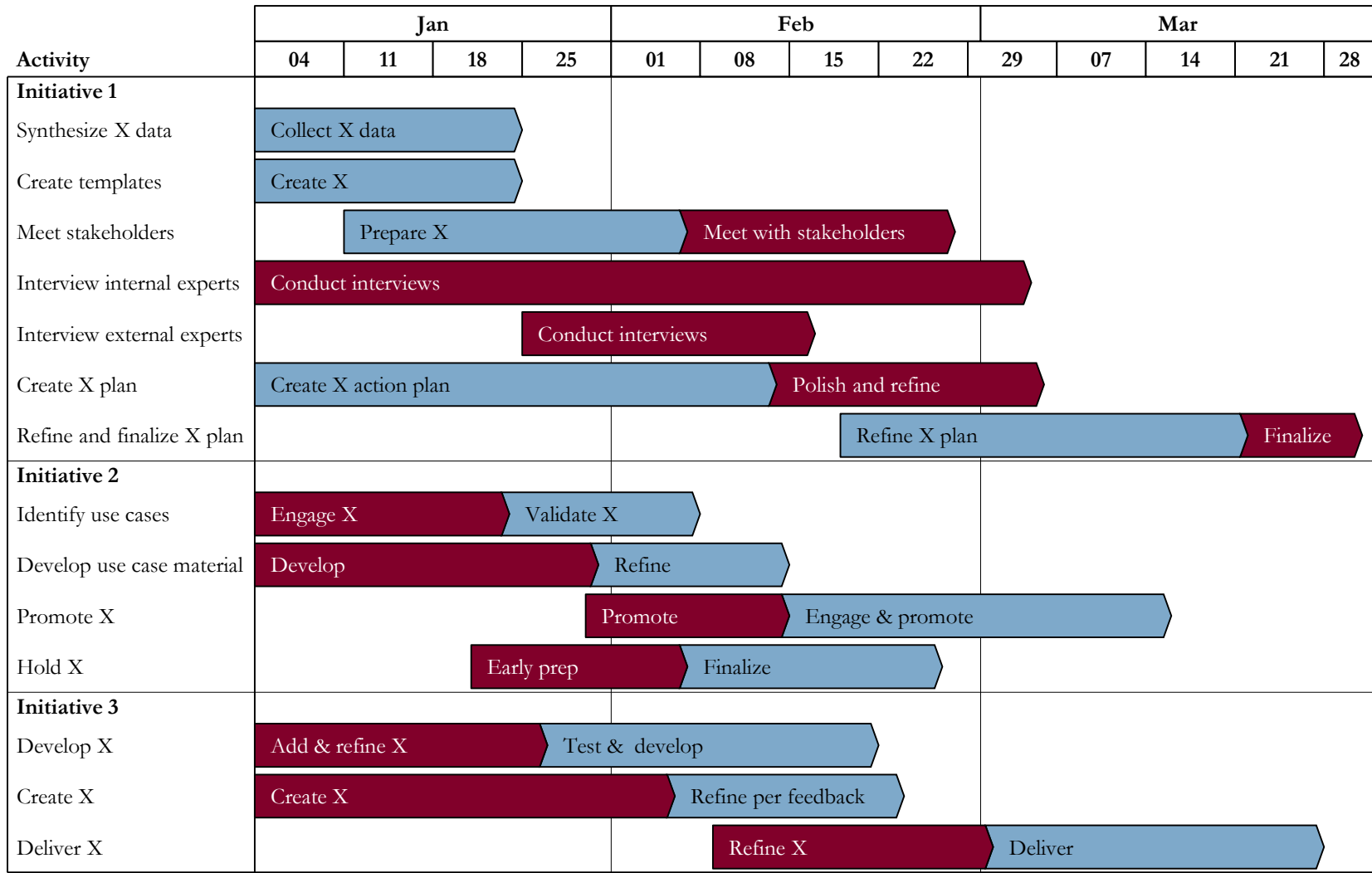


**Strategic PMO:
Example Deliverable**

Maximizing Growth. Transforming Organizations. Unlocking Digital.

X Effort : High-level work plan

 High priority
 Priority



Employer Toolkit: Work Overview

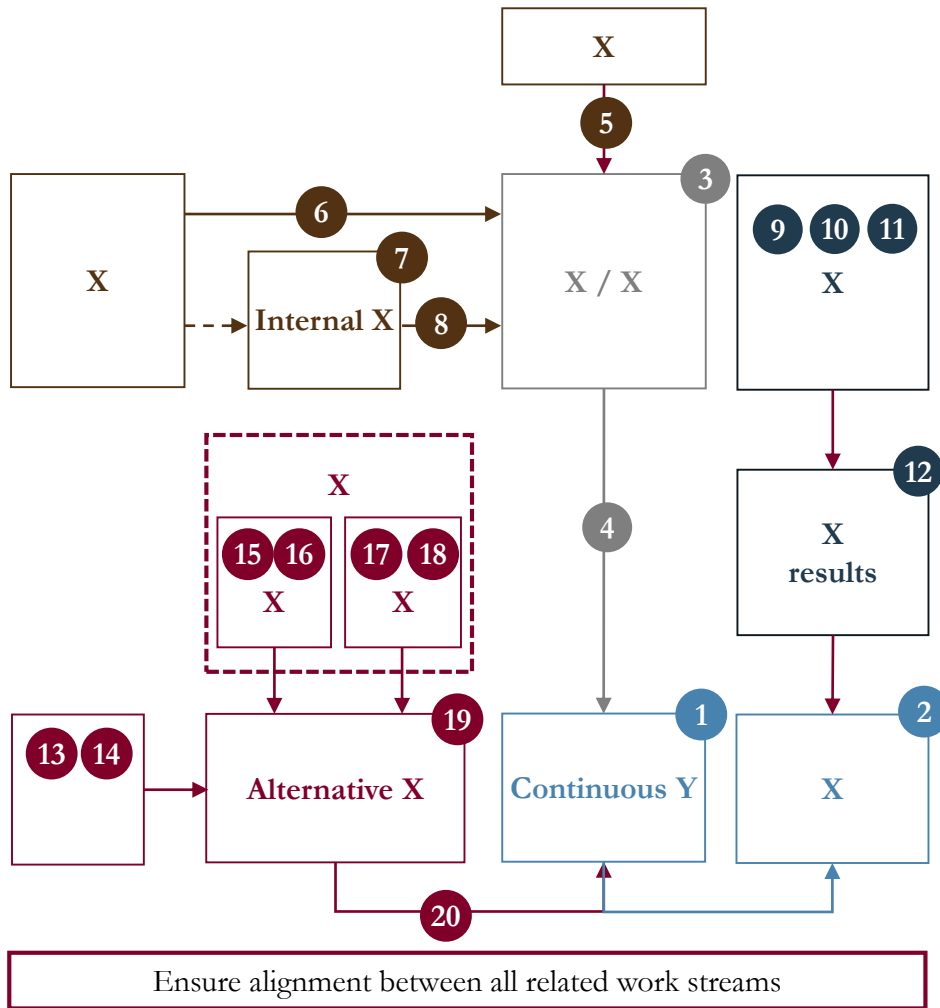
Focus Area 1
 Complete
 Not started

Focus Area 2
 In Progress

| Goal | Key actions | Owner | Support | Status |
|---------------------------------|-------------|--|--|--------|
| Create X | | <ul style="list-style-type: none"> • Name • Name • Name | <ul style="list-style-type: none"> • n/a | |
| Distill down X | | <ul style="list-style-type: none"> • Name | <ul style="list-style-type: none"> • Name | |
| Create actual X | | <ul style="list-style-type: none"> • Name | <ul style="list-style-type: none"> • Name | |
| Begin to refine X | | <ul style="list-style-type: none"> • Name • Name | <ul style="list-style-type: none"> • Name • Name | |
| Develop plan to finish X | | <ul style="list-style-type: none"> • Name | <ul style="list-style-type: none"> • Name | |
| Prepare and run X | | <ul style="list-style-type: none"> • Name | <ul style="list-style-type: none"> • Name | |
| Create final X | | <ul style="list-style-type: none"> • Name • Name | <ul style="list-style-type: none"> • n/a | |
| Continue to improve X | | <ul style="list-style-type: none"> • Name • Name | <ul style="list-style-type: none"> • Name | |
| Work with key stakeholders to X | | <ul style="list-style-type: none"> • Name | <ul style="list-style-type: none"> • Name • Name | |
| Attempt to drive X | | <ul style="list-style-type: none"> • Name | | |

XX: Action Items

System Overview



Action Items

- 1 Create xxxx xxxx xxx
xxxx x xxx
- 2 If using Y, create xxxxx
xxxx xxx xxxx
- 3 Set-up xxxxx xxx xxxxx
for X
- 4 Create process for xxxx
xxxxx xx xxxxx xxx xxx
xxxxxxxx xxx x xxxx
- 5 Create a set process for X
to enter xxxxx
- 6 Create process for xxxx
and xxxxxxx to xxxxxx
xxx xxxxx xxxxx
- 7 Identify a path for xxx
xxxxxx xxxx xxxxxxx xxx
- 8 Create process to get
xxxxxx and xxxxxx xxxxx
xxxxx x
- 9 Finalize decision around X
and xxxx xxx x
- 10 Finalize X content
- 11 Set process and tempo
to xxxx xxxxxxx xxx x x
xxxxxx xxx
- 12 Determine format for
X
- 13 Determine xxxxx xxx
xc needed for X
- 14 Get sample of X
- 15 Determine what xxx
xxxx xx xx xx
- 16 Get sample of xxx
xxxxx x xx x x
- 17 Determine what xxxxxx
x x xxx xxxxx xxxxx
- 18 Determine xxxxx xxxxx
xx xxxx x xx xxxx
- 19 Finalize xxxx xxxxx
xxxxx xxxxxxx xxxxxx
and ensure xxxxxx
- 20 Distribute and enact
xxx xxxxx xxxxx xxx